

Grumpy Range Specifications

MODEL	GT020	GT024	GT028	GT032	GT036	GT040
Draught kW (hp) Requirements approx.	30-45kW (40-60hp)	37-52kW (50-70hp)	42-52kW (60-90hp)	52-82kW (70-110hp)	60-89kW (80-120hp)	75-104kW (100-140hp)
Hectares @ 8kph	1.8	2.1	2.5	2.8	3.2	3.5
Disc Spacing	230mm (9")	230mm (9")	230mm (9")	230mm (9")	230mm (9")	230mm (9")
Weight kg approx.	1525kg	1600kg	2050kg	2290kg	2650kg	2750kg
Weight kg per disc	76	67	73	72	74	69
Cutting width @ 21°	2.4m (7'10")	2.85m (9'3")	3.3m (10'10")	3.75m (12'5")	4.2m (13'9")	4.65. (15'3")
Transport Width	3.0m (9'10")	3.45m (11'4")	2.9m (9'5") adjustable roller arms to assist folding and angle changes			
No. Bearings	8	8	14	14	16	16
Tyre Size	2 x (9.5 x 15) 8PR		2 x (11.5/80 - 15.3) 14PR			
Wheel Axle Size	45mm (H30)		60mm (H60) - <i>see options below</i>			
Hydraulic Pitch	2 1/2" x 6" cylinder for hydraulic pitch adjustment					
Gang Frame	125mm x 75mm x 12mm angle		200mm x 100mm x 6mm RHS			
Main Frame	125mm x 75mm x 6mm RHS		125mm x 75mm x 6mm RHS			
Pull Frame	100mm x 100mm x 5mm SHS		100mm x 100mm x 9mm SHS			
Pull Tongue Size	Fixed 32mm thick x 38mm Elongated Hole					
Gang Angles	4 angles 18/20/22/24 degrees		3 angles 19/21/23 degrees			
Gangs	4 x 16mm Tie Bolts					
Gang Axles	Square 28.6mm (1 1/8") axles					
Hydraulics	2 x Phasing cylinders 3 1/4" x 12" & 3 1/2" x 12"					
Scrapers	Grizzly Floppy T Bar Scrapers - Pat. No. 602879, Reg. Design No. 95931					
Gang Bearings	Twist-in, Self Aligning Greasable Bearing with a 2 year warranty					
Spool Size	150mm Heavy Wall Pipe					
Disc Size	610mm x 6mm (24" x 1/4") Scalloped Standard - <i>see options below</i>					
Filler Discs	2 x Three notched filler discs 510mm x 6mm (24" x 1/4") on standard discs					

Optional Specifications

	Little Grumpy	Grumpy
DISCS	610mm x 6mm (24" x 1/4") Fluted	610mm x 6mm (24" x 1/4") Fluted
	26" discs not available on little Grumpy	Scalloped 660mm x 6mm (26" x 1/4")
		Fluted 660mm x 6mm (26" x 1/4")
Wheel Axle upgrade	Upgrade from H60 to H70 GT028 - GT040 only	
Rear Tow Hitch	Heavy duty bolt on rear tow hitch and 'oversize' sign GT028 - GT040 only	
Spare Wheel Bracket	Bolt on Spare Wheel Bracket and Wheel	

N.B. Design and Specifications are subject to change without prior notice.



1800 637 250

Grizzly Engineering Pty. Ltd. A.C.N. 006 093 027

2 McAllister Road, Swan Hill, Victoria 3585 Australia
 Postal Address: PO Box 831, Swan Hill Victoria 3585 Australia
 Telephone: 03 5032 9155 (International: + 61 3 5032 9155)
 Fax: 03 5032 9280 (International: + 61 3 5032 9280)
 Email: sales@grizzlyag.com.au
 visit us at:

www.grizzlyag.com.au



GRUMPY

The General Purpose Specialist





GRUMPY

The General Purpose Specialist

Grumpy – If you're looking for a medium duty disc plough then **Grumpy** is for you. Utilising **Grizzly's** tried and proven technology, the Grumpy provides exceptional performance and long lasting value.

In sizes from 3.3mtrs – 4.65mtrs **Grumpy** is suited to a variety of applications, from seed bed preparation, pasture renovation and general tillage work. The use of **Grizzly's** patented "Floppy T-Bar" scraper system, twist in/out greasable bearings and hydraulic pitch control for front to back levelling while on the move make it a sensible choice for the small to medium size farmer who requires a general purpose disc machine.

Another major advantage of **Grumpy** is its ability to be easily folded from work position to transport position of under 2.9mtrs (9'5") for road transport or narrow gateways. This, along with a number of **Grizzly's** standard features makes **Grumpy** a very versatile disc plough.

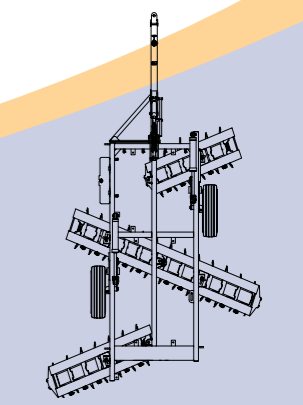
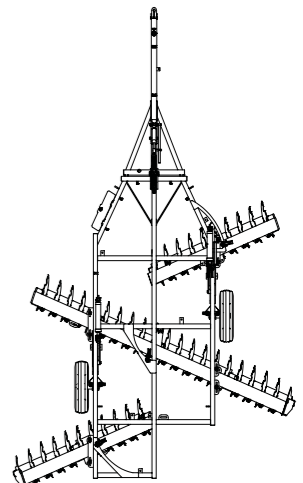


All these features come together to ensure **Grumpy** does the job. Its general purpose design makes it perform in varied conditions. From light soils to heavy soil, irrigation to dry land and with ability to handle high trash situations **Grumpy** will perform for you. Its durable frame, easy maintenance, longevity and excellent resale value make it the number one choice.

Little Grumpy – The perfect machine for smaller applications in the medium duty range. The **Little Grumpy** boasts all the tried and proven running gear as **Grumpy**, but has been specifically designed for the smaller applications where cost, along with performance, longevity and ease of use make it perfect for the owner-operator.

Little Grumpy has 4 gang angle adjustments to suit varied conditions and makes sure you get the most out of your **Grizzly**. The use of **Grizzly's** patented 'Floppy T-Bar' scraper system ensures you get to cultivate your fields even in moist, sticky conditions. A hydraulic pitch control allows you to accomplish on the move front to back levelling of the machine. The **Grizzly** 3 gang design ensures you get a complete cut out and level finish.

If your looking for a proven, reliable, user friendly disc plough and have small to medium farm then the **Little Grumpy** is for you.



LITTLE GRUMPY



Roll Assist Gang Adjustment

Gang rollers to take the work out of gang adjustment (not featured on Little Grumpy).



Depth Control

Easy to read Depth Gauge and adjustable positive depth stop that is direct, effective, and easy to use.



Twist Out Bearing

Easy service with minimum maintenance downtime. Gang bearings have a 2 year warranty.



Patented T-Bar Scraper

Controls soil or trash build up on axle spools enabling operation in even the most extreme conditions.



Narrow Transport - Grumpy

2.9mtr (9' 5") transport width allows access through narrow gates and safe road transport.



Hydraulic Pitch Control

Front to back levelling without leaving the tractor seat. Ensures a level finish in uneven ground.