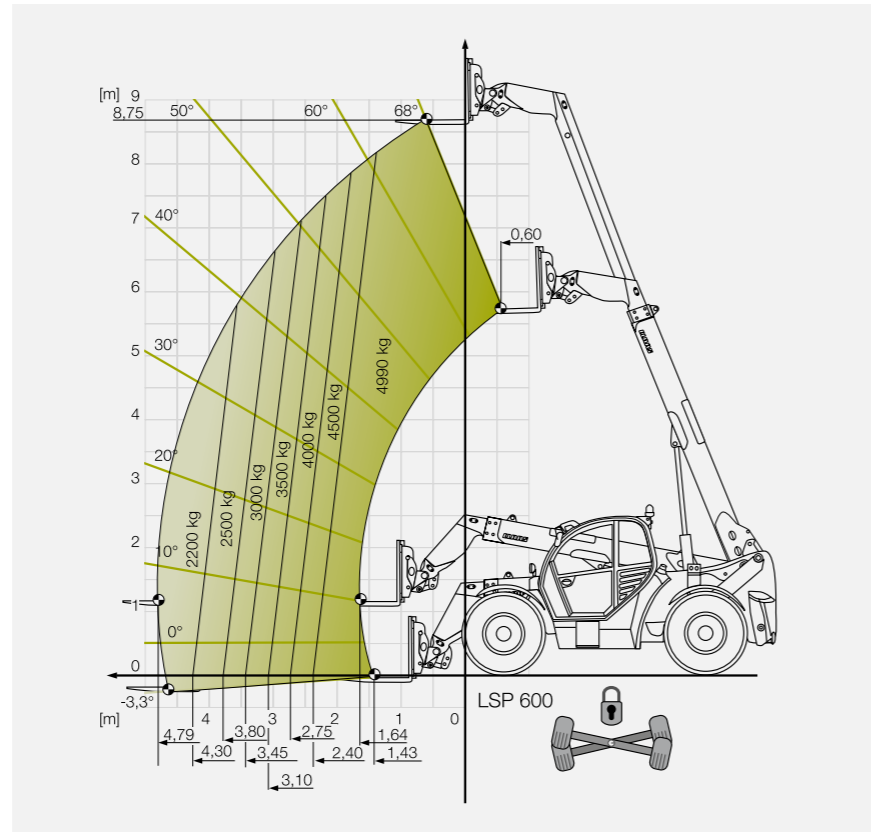


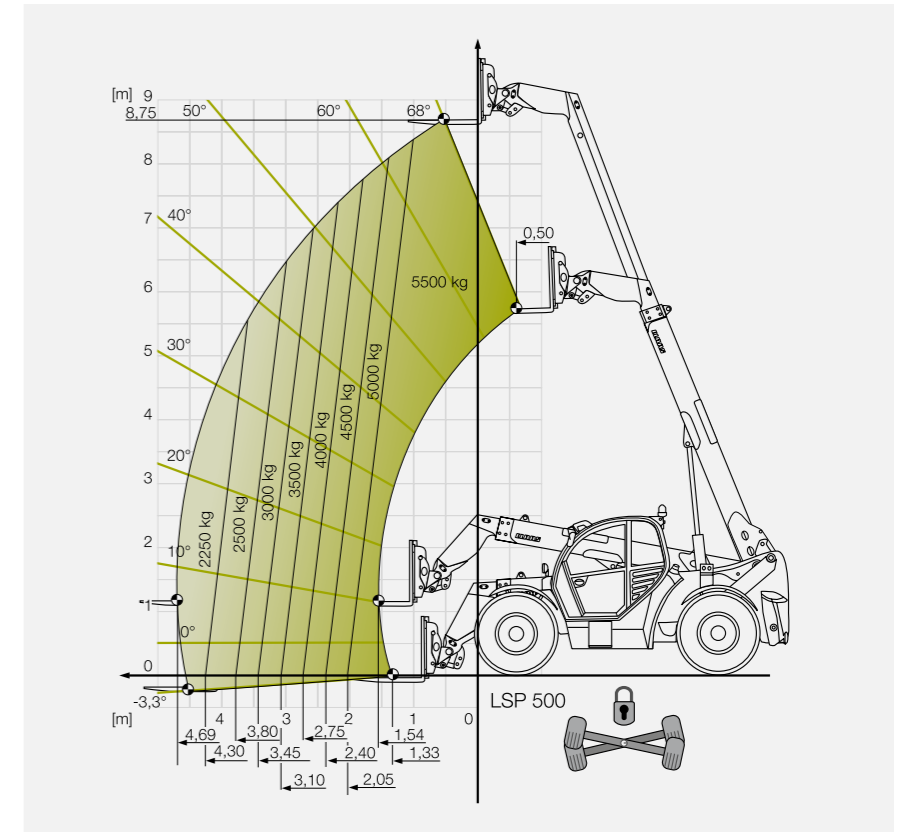
SCORPION 9055

Lifting capacity chart with load centre (LC) 600 mm with pivoting axle lock



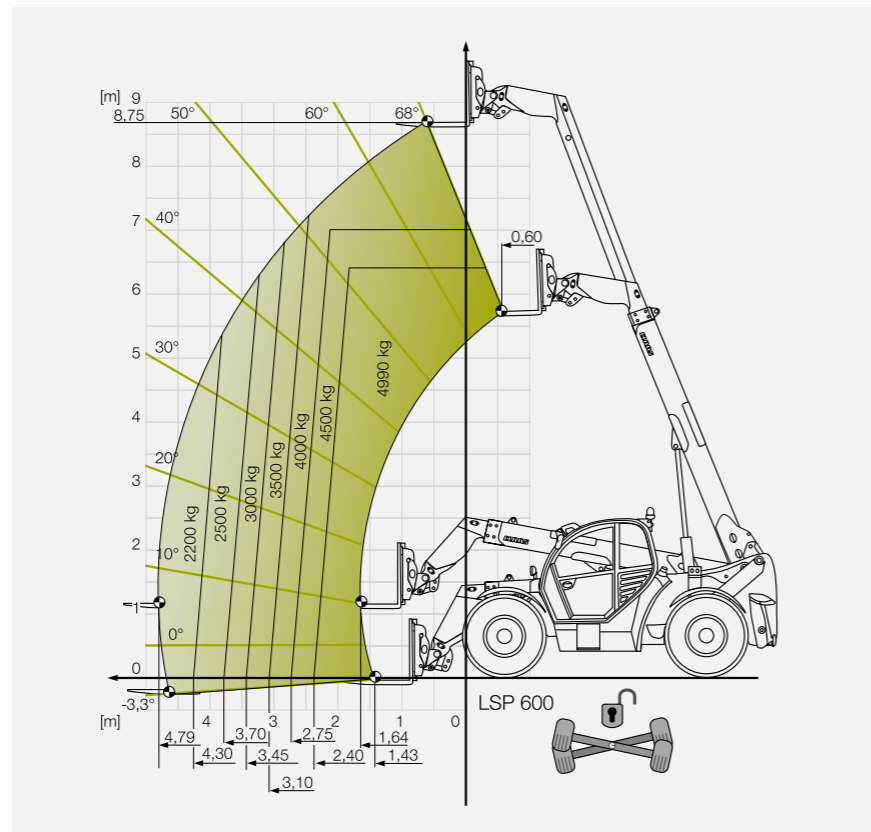
SCORPION 9055

Lifting capacity chart with load centre (LC) 500 mm with pivoting axle lock



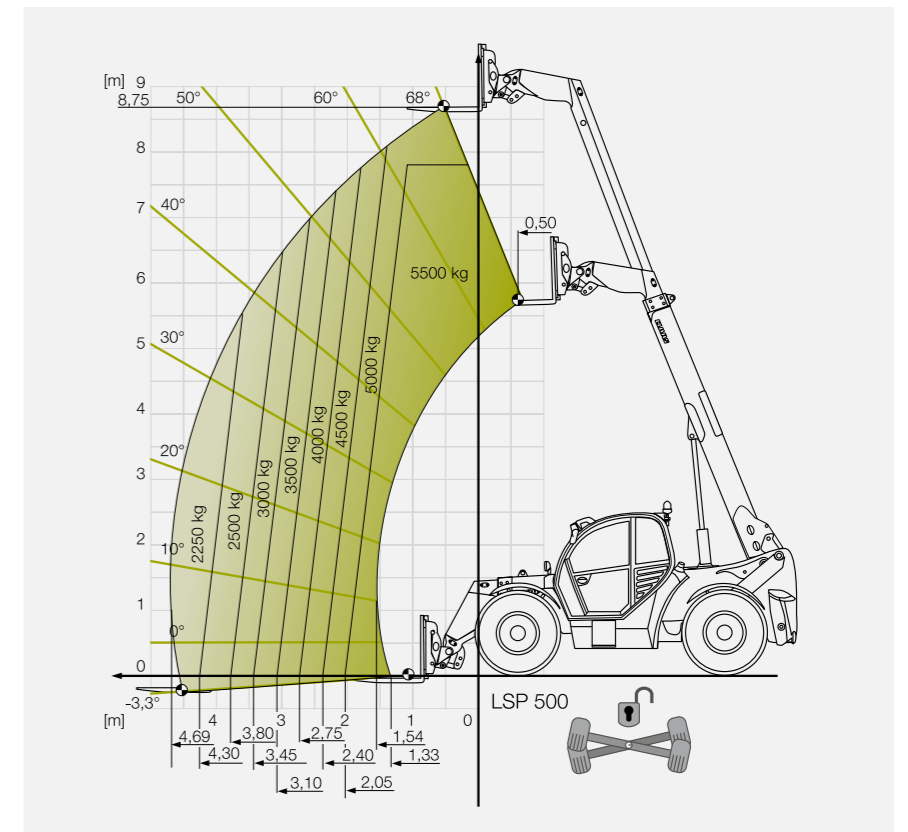
SCORPION 9055

Lifting capacity chart with load centre (LC) 600 mm without pivoting axle lock



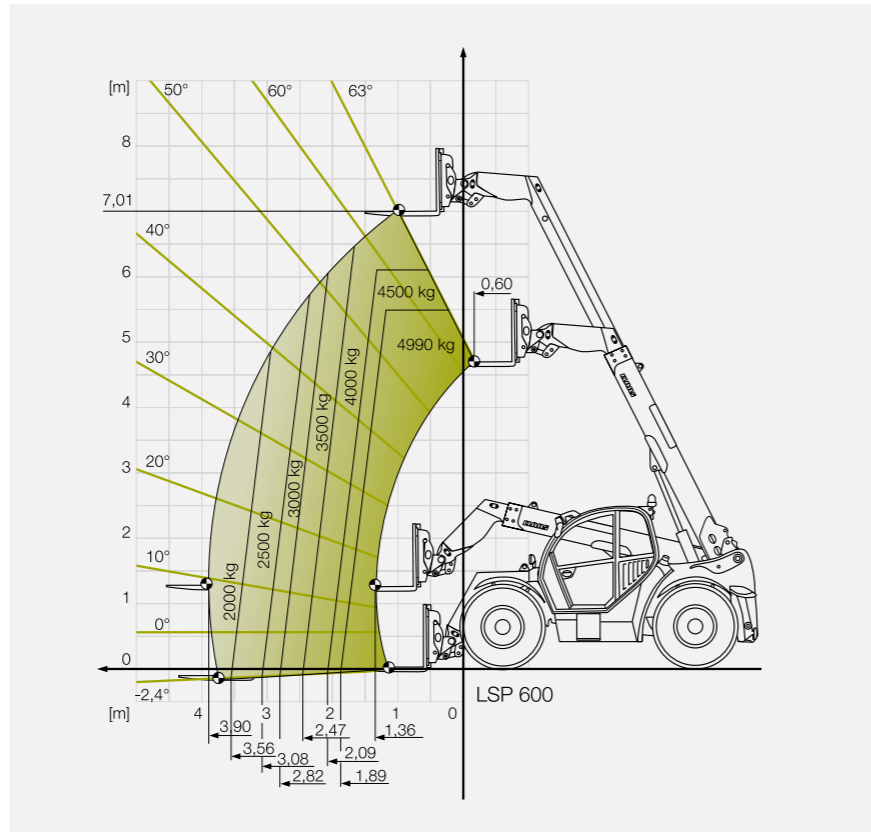
SCORPION 9055

Lifting capacity chart with load centre (LC) 500 mm without pivoting axle lock



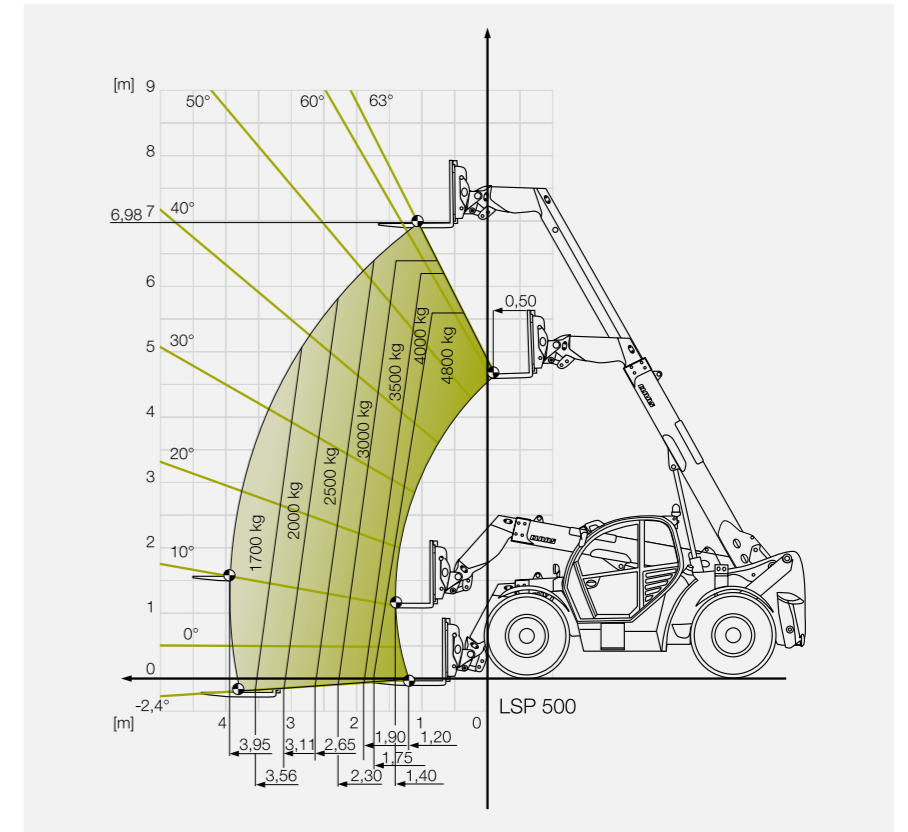
SCORPION 7055

Lifting capacity chart with load centre
(LC) 600 mm



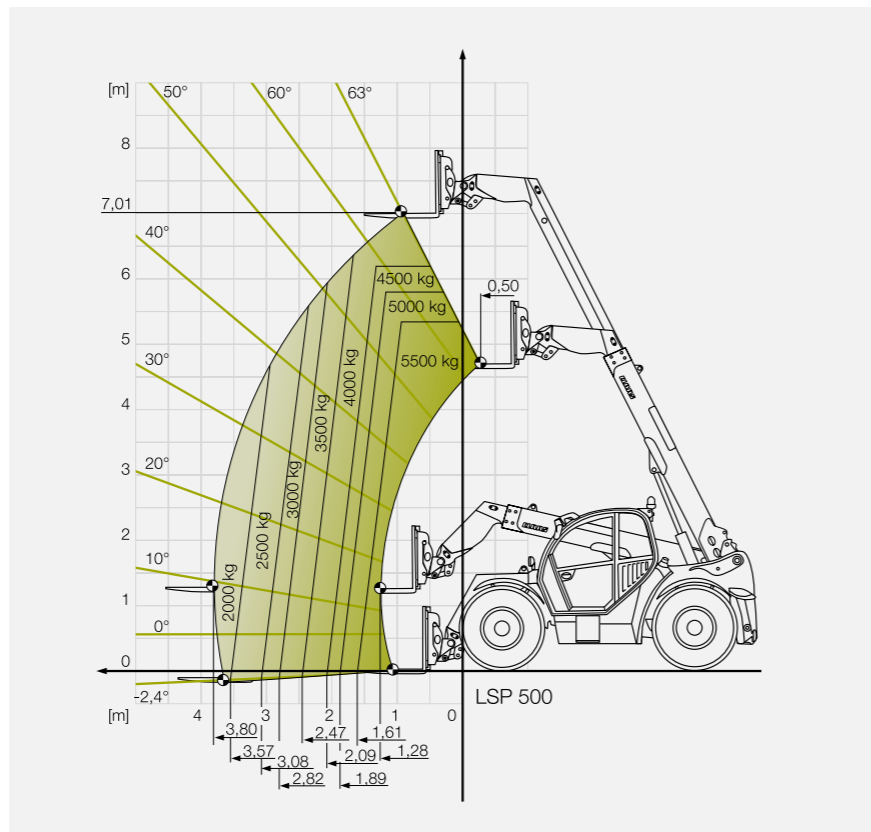
SCORPION 7050

Lifting capacity chart with load centre
(LC) 500 mm



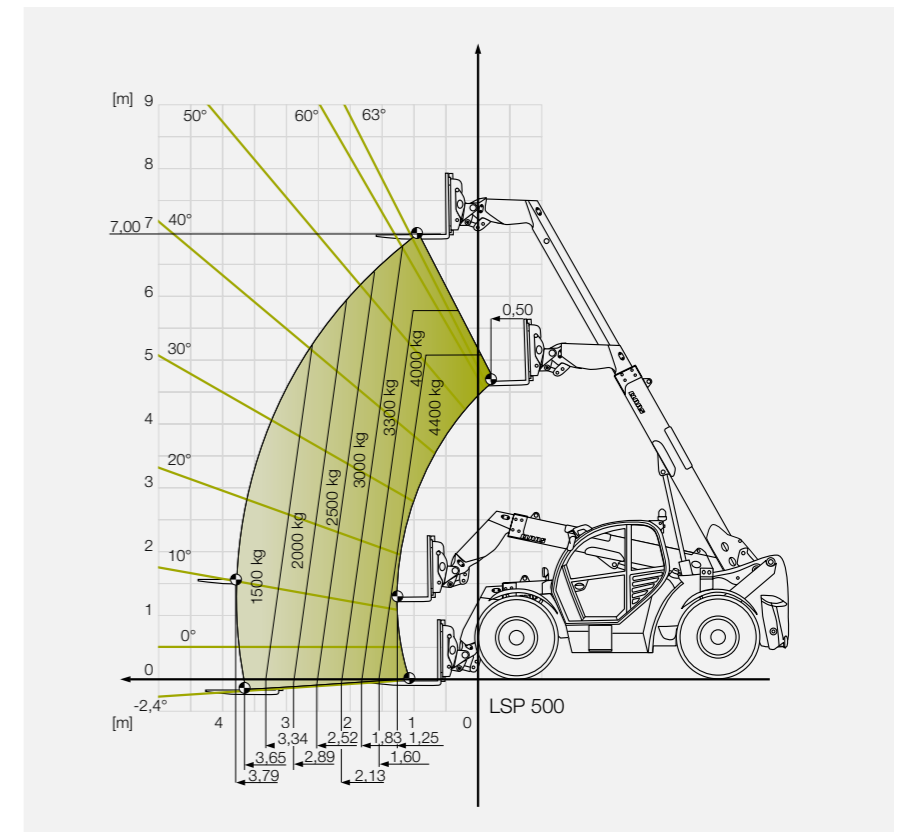
SCORPION 7055

Lifting capacity chart with load centre
(LC) 500 mm



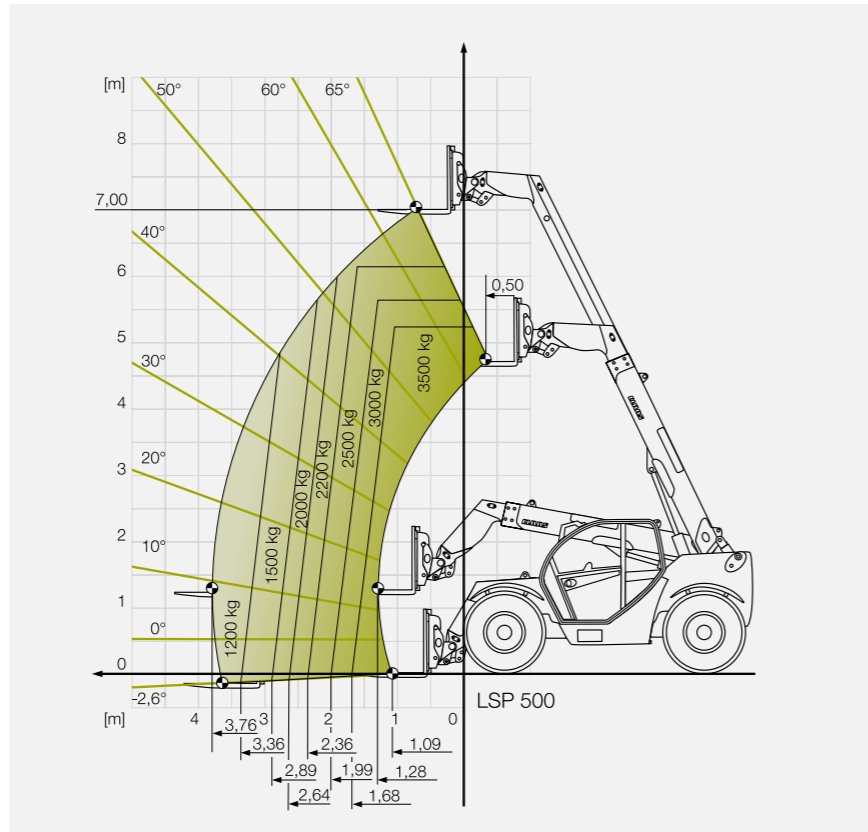
SCORPION 7044

Lifting capacity chart with load centre
(LC) 500 mm



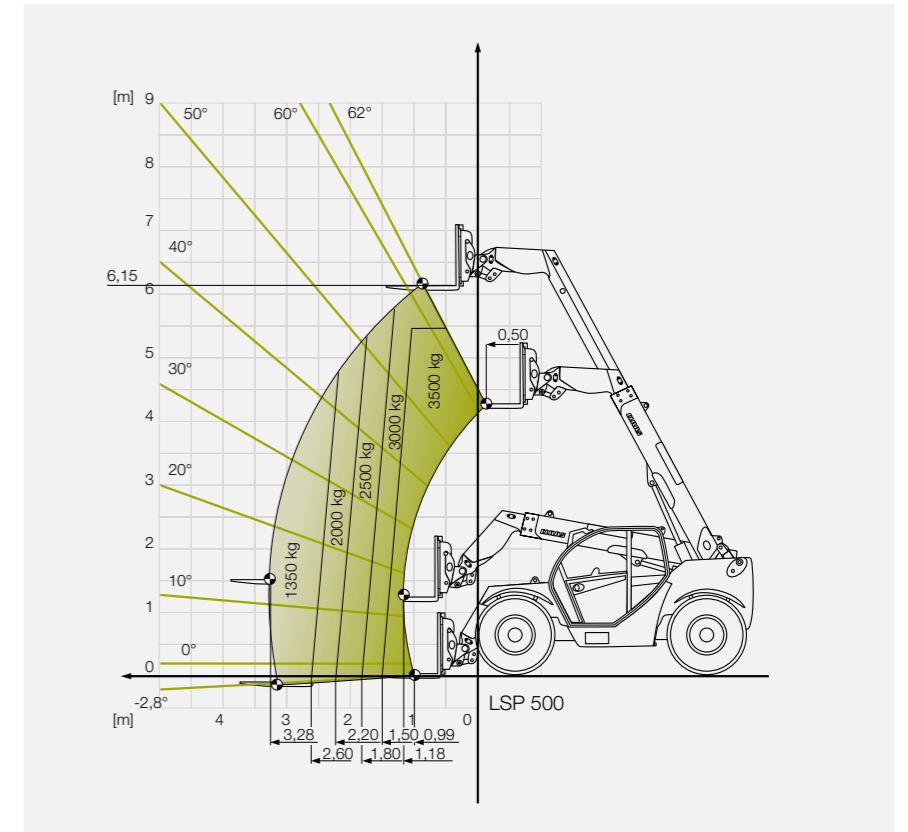
SCORPION 7035

Lifting capacity chart with load centre
(LC) 500 mm



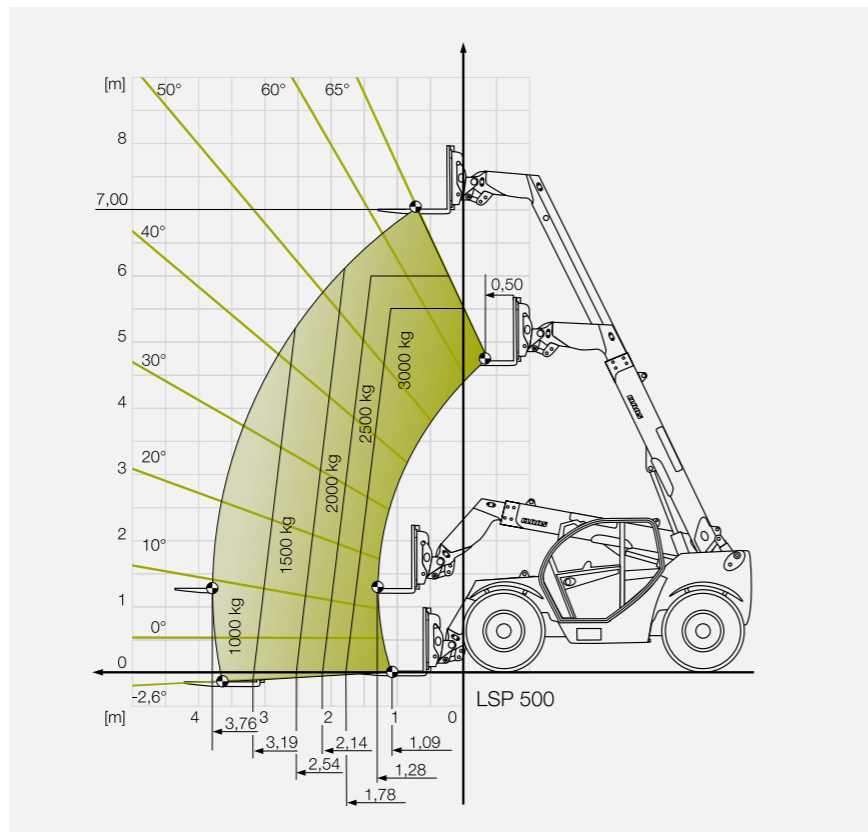
SCORPION 6035

Lifting capacity chart with load centre
(LC) 500 mm



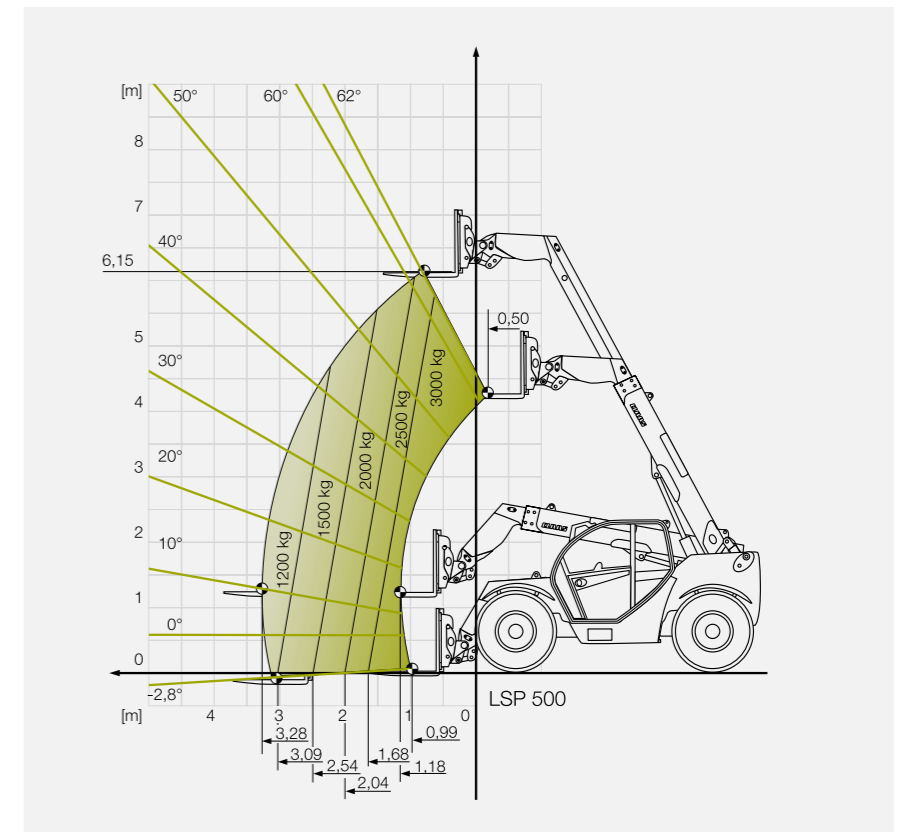
SCORPION 7030

Lifting capacity chart with load centre
(LC) 500 mm



SCORPION 6030

Lifting capacity chart with load centre
(LC) 500 mm



SCORPION	9055	7055	7050	7044	7035	7030	6035	6030
----------	------	------	------	------	------	------	------	------

Loading system

Lift capacity	kg	5500	5500	4800	4400	3500	3000	3500	3000
Lift height	mm	8750	7017	7017	7017	7000	7000	6150	6150
SMART HANDLING		●	●	●	●	●	●	●	●
Automatic bucket return		○	○	○	○	○	○	○	○
Pressure release, third control circuit		○	○	○	○	○	○	○	○

Engine

Manufacturer		Deutz	Deutz	Deutz	Deutz	Deutz	Deutz	Deutz	Deutz
Model		TCD 4.1 L4	TCD 4.1 L4	TCD 3.6 L4	TCD 3.6 L4	TCD 3.6 L4	TCD 3.6 L4	TCD 3.6 L4	TCD 3.6 L4
Output at 2400 rpm (ECE R 120) ¹ Stage IV (Tier 4)	kW/hp	115/156	115/156	100/136	100/136	100/136	100/136	100/136	100/136
Max. torque at 1600 rpm	Nm	609	609	500	500	500	500	500	500
No. of cylinders		4	4	4	4	4	4	4	4
Cubic capacity	cm ³	4038	4038	3621	3621	3621	3621	3621	3621
Exhaust gas aftertreatment – Stage IV emissions standard (Tier 4)		DOC + DPF + SCR	DOC + DPF + SCR	DOC + SCR	DOC + SCR	DOC + SCR	DOC + SCR	DOC + SCR	DOC + SCR
Exhaust gas aftertreatment – Stage IIIB emissions standard (Tier 4)		DOC + DPF	DOC + DPF	DOC	DOC	DOC	DOC	DOC	DOC
Exhaust gas aftertreatment – Stage IIIA emissions standard (Tier 3)		No exhaust gas aftertreatment				No exhaust gas aftertreatment			

Working hydraulics

Gear pump, LS valves	l/bar	–	–	–	–	100/260	100/260	100/260	100/260
LS pump, LS valves	l/bar	187/260	187/260	187 or 140/260	140/260	140/260	140/260	140/260	140/260
Spool valve		5- to 7-fold pilot operation				4-fold (standard) 5-fold (optional)			

Ground drive

Hydrostatic		VARIPOWER PLUS	VARIPOWER PLUS	VARIPOWER PLUS / VARIPOWER	VARIPOWER	Hydrostat / VARIPOWER	Hydrostat / VARIPOWER	Hydrostat / VARIPOWER	Hydrostat / VARIPOWER
Ratios	km/h	0-7 / 0-15 / 0-30 / 0-40	0-7 / 0-15 / 0-30 / 0-40	0-7 / 0-15 / 0-30 ² / 0-40 ³	0-7 / 0-15 / 0-30 / 0-40	0-7 / 0-15 ⁴ / 0-30 / 0-40 ²	0-7 / 0-15 ⁴ / 0-30 / 0-40 ²	0-7 / 0-15 ⁴ / 0-30 / 0-40 ²	0-7 / 0-15 ⁴ / 0-30 / 0-40 ²
Max. top speed	km/h	30/40	30/40	30 ² /40 ³	30/40	30/40 ²	30/40 ²	30/40 ²	30/40 ²
SMART ROADING		○	○	○	○	○	○	○	○

Tank capacity

Diesel fuel tank ⁵	l	190	190	190	190	120	120	120	120
Urea tank	l	13	13	13	13	10	10	10	10
Hydraulic oil tank / hydraulic oil total	l	100/200	100/190	100/190	100/190	100/170	100/170	100/170	100/170

Axles

Front/rear axle									
Bearing load	t	27.3	27.3	24.2	24.2	20.4	20.4	20.4	20.4
Front differential lock		Locking differential 100%				Self-locking differential 45%			
Steering lock	degrees	40	40	40	40	40	40	40	40
Hydraulic levelling +/-	degrees	10	–	–	–	–	–	–	–
Pivoting axle lock mechanical (rear axle)		○	○	○	○	–	–	–	–
Pivoting axle lock hydraulic (rear axle)		○	–	–	–	–	–	–	–

● Standard ○ Optional □ Available – Not available

SCORPION	9055	7055	7050	7044	7035	7030	6035	6030
----------	------	------	------	------	------	------	------	------

Operating and parking brake

Type		Dual-circuit hydraulic brakes (closed, wet multi-disc brakes)				Foot-operated hydraulic disc brakes			
Location		Front and rear axle				Axle input on front axle			

Parking brake

Type		Electrohydraulic disc brake				Hand-operated mechanical disc brake			
Location		Spring accumulator on front axle and via drive shaft on rear axle				Axle input on front axle			

Steering

Steering type 0–40	km/h	Front-axle steering			
Steering type 0–30	km/h	All-wheel steering			
Steering type 0–15	km/h	Crab steering			

Weights

Maximum unladen weight ⁶	kg	11500	10500	9600	9100	7620	7370	6920	6620
Permissible total weight	kg	12500	12500	12500	11000	9000	9000	8500	8500

SCORPION	9055	7055	7050	7044	7035	7030	6035	6030
----------	------	------	------	------	------	------	------	------

Tyre sizes

		External width							
405/70-20 152B Mitas MPT 01, AS-Profil	m	–	–	–	–	2.29	2.29	2.29	2.29
405/70-20 A 323 Alliance, AS-Profil	m	–	–	–	–	2.29	2.29	2.29	2.29
405/70-24 152B Alliance A 323, AS-Profil	m	–	–	–	–	2.29	2.29	2.29	2.29
405/70 24 151D Mitas MPT04	m	–	–	–	–	2.29	2.29	2.29	2.29
405/70-R 24 158 A8 Dunlop SPT9, industrial profile	m	–	–	–	–	2.29	2.29	2.29	2.29
425/75 R 20 167 A2 Michelin XZSL	m	–	–	–	–	2.29	2.29	2.29	2.29
440/70 R 28 152 A8 Continental AC 70G, AS-Profil	m	2.52	2.52	2.52	2.52	–	–	–	–
460/70 R 24 152 A8 Firestone Duraforce Utility	m	2.49	2.49	2.49	2.49	2.29	2.29	2.29	2.29
460/70-24 159 A8 Mitas TR01, AS-Profil	m	2.49	2.49	2.49	2.49	–	–	–	–
460/70 R 24 159 A8 Michelin XMCL, AS-Profil	m	2.5	2.5	2.5	2.5	2.29	2.29	2.29	2.29
460/70 R 24 159 A8 Alliance A580	m	2.5	2.5	2.5	2.5	2.29	2.29	2.29	2.29
460/70 R 24 Michelin Bibload	m	–	–	–	–	2.29	2.29	2.29	2.29
500/70 R 24 164 A8 Alliance A580	m	2.5	2.5	2.5	2.5	–	–	–	–
500/70 R 24 164 A8 Michelin XMCL, AS-Profil	m	2.51	2.51	2.51	2.51	–	–	–	–
500/70 R 24 Michelin Bibload		2.51	2.51	2.51	2.51	–	–	–	–
500/70 R 24 152 A8 Firestone Duraforce Utility	m	2.51	2.51	2.51	2.51	–	–	–	–
600/55-26.5 16PR Alliance I-3 IND	m	2.61	2.61	2.61	2.61	–	–	–	–
17.5-25 16PR Mitas EM 60	m	2.48	2.48	2.48	2.48	–	–	–	–

¹ In accordance with ISO 14396

² In conjunction with VARIPOWER

³ In conjunction with VARIPOWER PLUS

⁴ Speed range not available for hydrostatic drive

⁵ In accordance with DIN 51628

⁶ Without implement, according to options

CLAAS continually develops its products to meet customer requirements. This means that all products are subject to change without notice. All descriptions and specifications in this brochure should be considered approximate and may include optional equipment that is not part of the standard specifications. This brochure is designed for worldwide use. Please refer to your nearest CLAAS dealer and their price list for local specification details. Some protective panels may have been removed for photographic purposes in order to present the function clearly. To avoid any risk of danger, never remove these protective panels yourself. In this respect, please refer to the relevant instructions in the operator's manual.

All technical specifications relating to engines are based on the European emissions regulation standards: Stage. Any reference to the Tier standards in this document is intended solely for information purposes and ease of understanding. It does not imply approval for regions in which emissions are regulated by Tier.

● Standard ○ Optional □ Available – Not available

SCORPION			9055	7055	7050	7044	7035	7030	6035	6030
----------	--	--	------	------	------	------	------	------	------	------

Dimensions

A	Length incl. carriage	mm	5600	4985	4985	4985	4880	4880	4580	4580
C	Maximum width	mm	2520 ¹	2520 ¹	2520 ¹	2520 ¹	2287	2287	2287	2287
D	Track width	mm	1995– 2065	1995– 2065	1995– 2065	1995– 2065	1880	1880	1880	1880
E	Overall height	mm	2520 ²	2520 ²	2520 ²	2520 ²	2310 ³	2310 ³	2310 ³	2310 ³
F	Cab width	mm	990	990	990	990	990	990	990	990
G	Wheelbase	mm	3150	2950	2950	2950	2850	2850	2850	2850
H	Ground clearance	mm	412	418	418	418	415	415	415	415
I	Turning radius across wheels	mm	4350	3755	3755	3755	3840	3840	3840	3840
K	Spacing from front-wheel centre line to carriage front plate	mm	1140	950	950	950	830	830	630	630
L	Distance from rear-wheel centre line to back of machine	mm	1310	753	753	753	1200	1200	1100	1100
M	Height to boom	mm	1935	1761	1761	1761	1600	1600	1600	1600
N	Hydraulic levelling	degrees	± 10	–	–	–	–	–	–	–
O	Rear approach angle	degrees	32	36.5	36.5	36.5	45	45	45	45
P	Downward tilt angle for pallet forks (in transport position) ⁴	degrees	19	20	20	20	22	22	22	22
Q	Upward tilt angle for pallet forks	degrees	65	67	67	67	68	68	68	68
	Total carriage swivel range	degrees	152	152	152	152	152	152	152	152

¹ Values for 440/70 R28 tyres

² Values for 460/70 24 tyres

³ Values for 405/70 24 MPT01 (Mitas) tyres

⁴ With unloaded pallet fork

