



ROTATING LOG GRAB

The Digga Mini Log Grab is an effective way of moving and manipulating large logs and other similar objects.

Features:

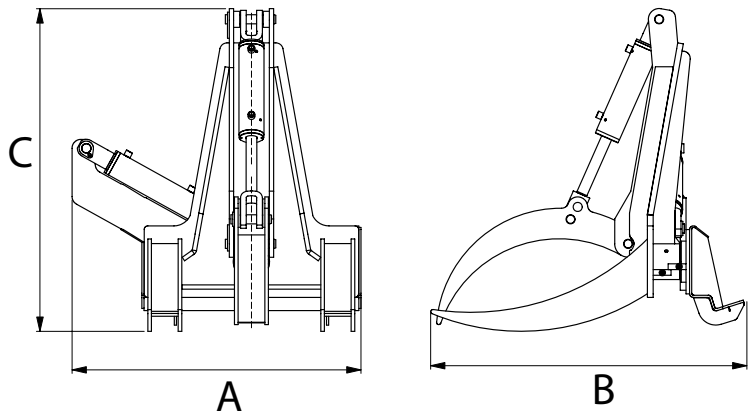
- 3 rotating tynes provide safe grip.
- 180 degree rotation of tynes.
- Tynes are positioned to be able to grab various shapes securely.

Ideal Use:

Moving and manipulating large items.

Machine Suitability:

Mini Loaders and Small Skid Steers.



Specification:	Mini Log Grab
Weight:	148kgs
Maximum Lifting Weight:	120kgs
Length (Overall)	820mm
Height (overall)	815mm
Width (overall)	845mm
Max Flow (LPM)	up to 45
Max Pressure (BAR)	220