



BALE SPEARS

Fitted to our Australian made pallet forks frame the Digga Bale Spears are designed for picking up square and round bales with minimum effort.

Features:

- Australian made quality.
- Most machine frames available.
- Heavy duty bale tynes.
- Fits up to 3 Bale Spear tynes onto the one frame.
- Standard pallet fork high visibility frame.
- Removable Bale Spear tynes.
- Tynes are 1059mm long.
- Ability to add Pallet Fork tynes.

Ideal Use:

Perfect for lifting square and round bales.

Machine Suitability:

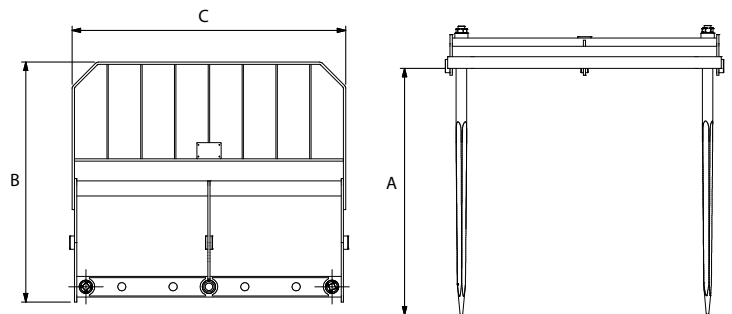
Skid Steer Loaders, Front End Loaders and Tractors



Telehandler
Bale Spears
also available



Quickly turn the Bale Spear
into Pallet Forks



Specifications	
Length (A)	1059mm
Height (B)	1030mm
Width (C)	1174mm
Weight	126kgs