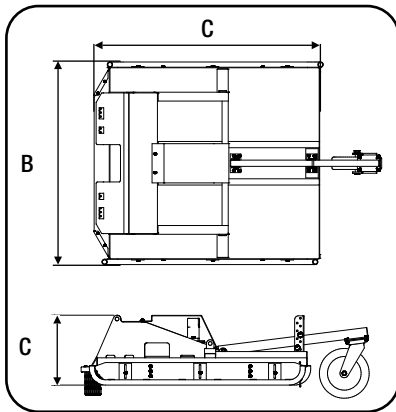




The 3pt Linkage Slasher is a slashing attachment for tractors which can be used for the effective cutting and clearing of grass and low ground shrubbery.

Features:

- Twin blade, dual rotation, single cutting bar
- Two widths available: 1500mm (59') and 1800mm (70')
- Chain curtain for debris suppression
- Adjustable height 40mm - 140mm
- Optional jockey wheel available
- Heavy duty construction - built for Australian conditions
- Also available for: mini loaders, skid steer loaders, excavators
- Rounded side skids for smoother manoeuvrability over uneven terrain



Accessories:

Comes complete with hoses, couplers and 3pt linkage.

Ideal Use:

Landscaping, agriculture, roadway maintenance, general slashing, park maintenance.

Machine Suitability:

Available to all CAT 1 and CAT 2 tractors.

Specifications	1500mm	1800mm
Weight	370 Kg	490 Kg
Length	1860 mm	2115 mm
Width (Overall)	1630 mm	1930 mm
Height	605 - 705 mm	665 - 765 mm
Max Pressure	240 bar	240 bar

