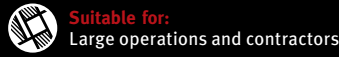


ENVIRO 740



ENVIRO 740

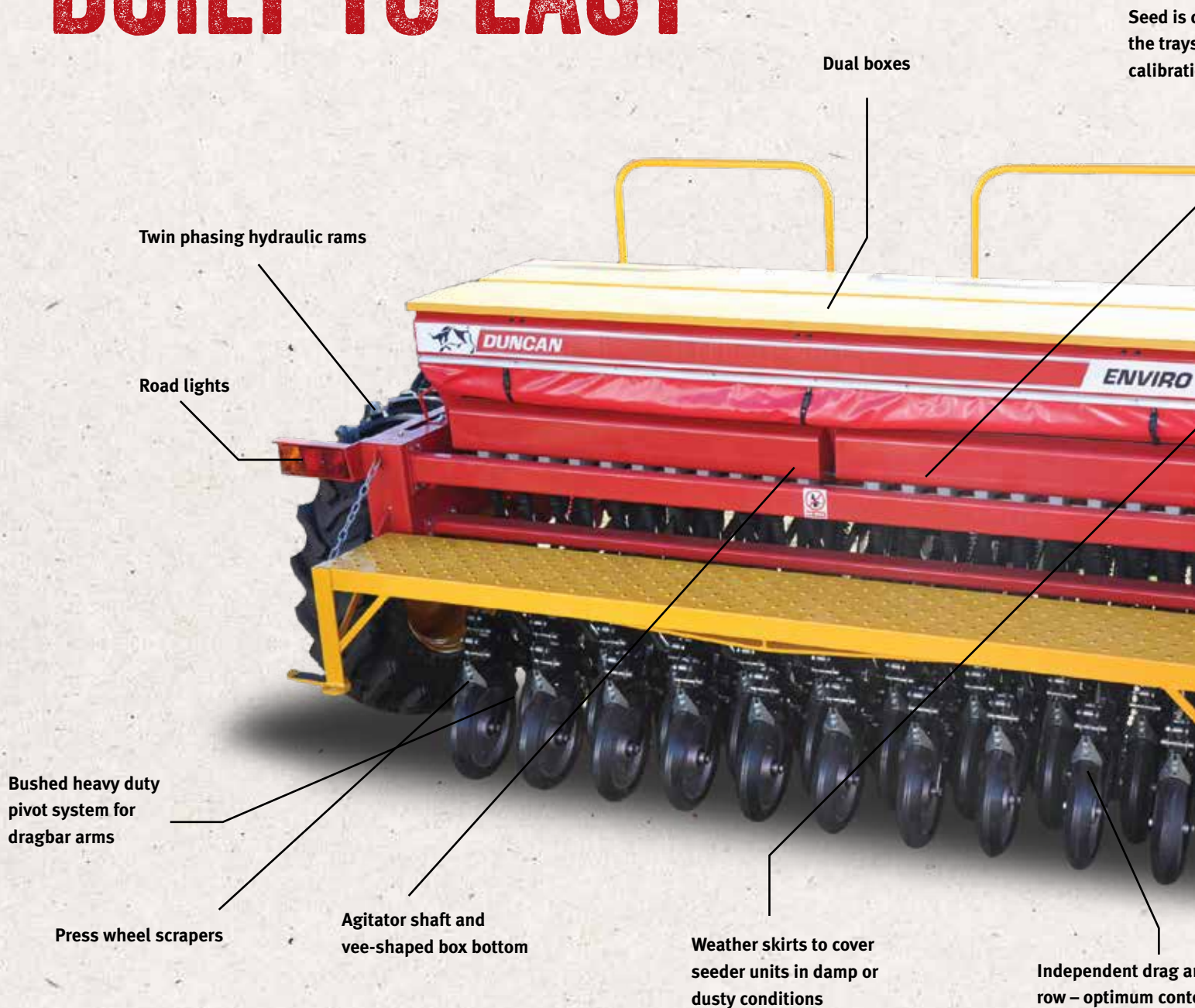
THE VERSATILE DRILL FOR ALL CONDITIONS

With solid and rugged construction, the Enviro 740 is built to last. Independent front and rear discs maximise ground contact, making it ideal for drilling undulating ground. Press wheels control the seed depth over the entire sowing area with enhanced soil to seed contact and maximum moisture retention.



DUNCAN
Built to work.

BUILT TO WORK BUILT TO LAST



Seed is...
the trays...
calibrati...

Dual boxes

Twin phasing hydraulic rams

Road lights

Bushed heavy duty
pivot system for
dragbar arms

Press wheel scrapers

Agitator shaft and
vee-shaped box bottom

Weather skirts to cover
seeder units in damp or
dusty conditions

Independent drag arm
per row - optimum control

Peg seeder units with large and small seed wheels for most varieties of seed and fertiliser



Front and rear platforms for easy access and safe loading



Easy to adjust variable speed gearbox for accurate distribution



GENUINE DUNCAN FACTORY OPTIONS

Duncan offers a wide variety of genuine factory extras. Installed by the same team of experts that make all of our equipment, you can be assured all parts are of the highest quality and will stand up to the most demanding conditions.

Rear towbar

Stainless steel boxes

Small seeds box

Seed level indicators

Baffle plates

Electric drive



Diverted into
for easy
on

Variable
speed
gearbox

Electronic
hectare meter

Tractor grip tyres



BUY WITH CONFIDENCE

Duncan have been making farm equipment since 1865. We understand the need for strength, reliability and value for money. Become part of the legend today.

Free wheeling hub
for road transport

arms for each
our following

400mm opening turbo tilth discs for cutting through heavy trash



Unique 'Duncan' triple disc system

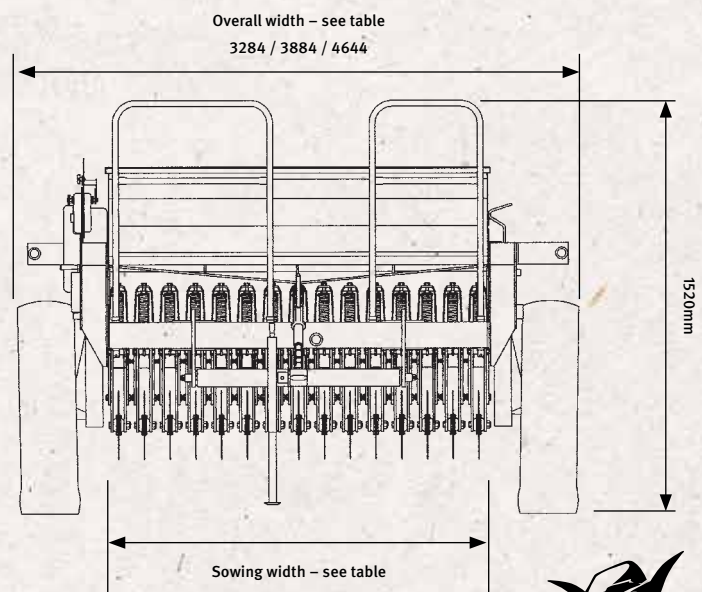
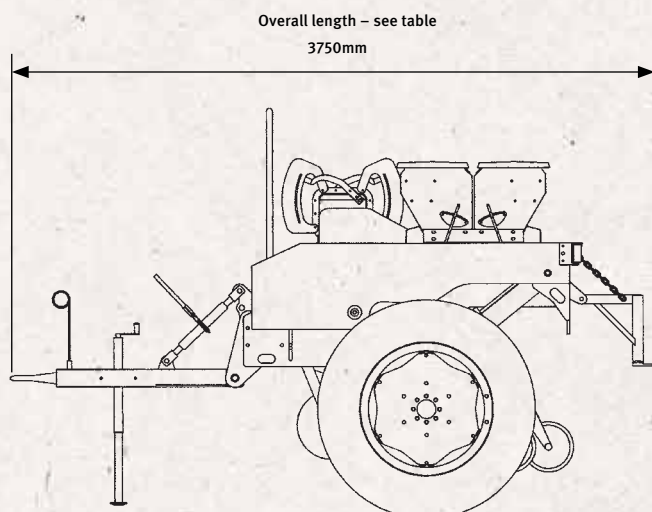


Adjustable press wheels for closing the slot and controlling the depth



SPECIFICATIONS

ROWS	15	17	19	21	23	26
Weight (kg)	2730	3080	3485	3850	4200	4725
Sowing width (mm)	2250	2210	2850	2835	3450	3380
Overall width (mm)	3284	3284	3884	3884	4644	4644
Overall length (mm)	3750	3750	3750	3750	3750	3750
Height (mm)	1520	1520	1520	1520	1520	1520
Box capacities (L)	349	349	443	443	538	538
Row spacing (mm)	150	130	150	130	150	130



DUNCAN AG NEW ZEALAND

PO Box 2018,
Washdyke 7941, Timaru
Ph: 0800 177 171
Email: admin@duncanag.co.nz

www.duncanag.com

DUNCAN AG AUSTRALIA

4B Silvertown Close,
Laverton North, Victoria 3026
Ph: 03 9314 9666
Email: admin@duncanag.com.au

In accordance with the company's policy of continuous improvement to its machines, alterations in specifications may be made without notice. The company accepts no responsibility for any discrepancies which may occur between specifications of its machines and the descriptions thereof contained in this publication.

